



Solid State, High Voltage Power Supply For Cold-Cathode (Gas Discharge) Lighting Applications

FEATURES:

- cUL & UL2161 Listed
- Secondary Ground Fault Interruption (SGFI)
- Output Over Voltage Interruption
- Anti-Bubbling / Anti-Mercury Migration Circuitry
- Open / Short Circuit Protected
- Pull Cord ON/OFF Switch
- 10 Foot Line Cord 800-0106
- Fully Enclosed, Light Weight Low Profile Case
- Integral Sleeve GTO Output Leads

SPECIFICATIONS:

INPUT

Voltage: 120 VAC Nominal
(108-132 VAC operating range)

Frequency: 50/60Hz

Current: 0.6 Amps rms maximum

Power: 50 Watts
(recommended operating max.
at nominal line voltage)

WEIGHT

0.7 Lbs. (0,32 kg.)

OUTPUT

Rated Output: 3.2kV rms

Short Circuit Current 21 mA rms

Equivalent Sign Volts: 5.8kV maximum

Frequency 30-40 kHz

TEMPERATURE

Ambient operating: 104°F (40°C) Maximum (in open air)

Operation Under Fault Conditions:

If a situation occurs that results in either a Secondary Ground Fault or an Over Voltage Protection shutdown, the high voltage output of this device will be deactivated. Once shutdown, the output will not restart unless the power switch is pulled to OFF, and after five seconds turned back ON again. Alternatively, the fault shutdown may be cleared by removing the power cord from the mains outlet, waiting approximately 30 seconds, and then plugging it back in.

TABLE 1

LUMINOUS TUBE LENGTH (FEET)							
Tube Size Diameter [mm]	15	13	12	11	10	9	8
Fill Pressure mm of Hg at 100°C	9	10	11	12	13	15	16
Tube Length - Neon	18	15	13	12	10	8	7
Tube Length - Mercury/Argon	27	22	18	16	14	12	10
TUBE LENGTH ADJUSTMENTS: Deduct 1.0 foot for each electrode pair. Deduct 5.0 feet for use with sheet metal or metallized sign frame. Deduct 5.0 feet for each 20°F above ambient temperature of 75°F.							

226 Series 120VAC Models 800-0106

INSTALLATION:

Mounting (see Figure 1):

- For Indoor Use Only
- Use (2), #8-32 machine screws, at least 5/16" longer than the thickness of the mounting surface, and (2) #8 KEPS nuts, or (2) #8 hex nuts with internal tooth lock washers.
- No Earth grounding means is required if the sign has no exposed metallic surfaces.
- If mounting to a metal surface other than a bar frame, a minimum 0.5 in. thick non-metallic spacer must be used.
- For proper grounding of a metallic sign frame, use of a #8 internal tooth lock washer is required between the #8 hex nut and bar frame on the mounting foot labeled with the Earth Ground symbol.

- CAUTION -

This device should not be mounted in spaces or near objects that may exceed an ambient temperature of 40°C (104°F).

Wiring:

- The molded plug on the power cord must be connected to a dedicated, grounded mains circuit rated for at least 15A.
- The tube load for each power supply shall not exceed the footage limits specified in Table 1.
- The power supply output leads (GTO 10) are to be connected as shown in Figure 2.

- CAUTION -

When two or more power supplies are required on a single neon sign, the output leads from one MUST NOT be wired in series or in parallel with the leads from the other(s).

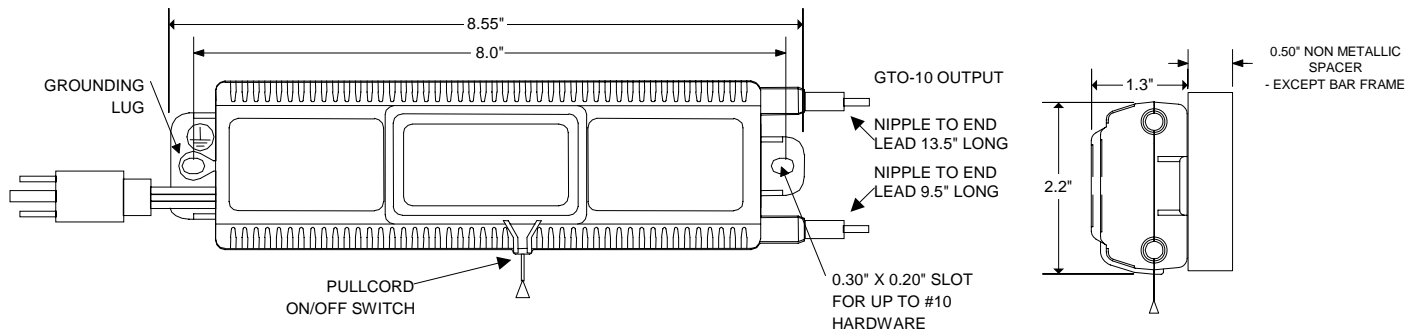


FIGURE 1

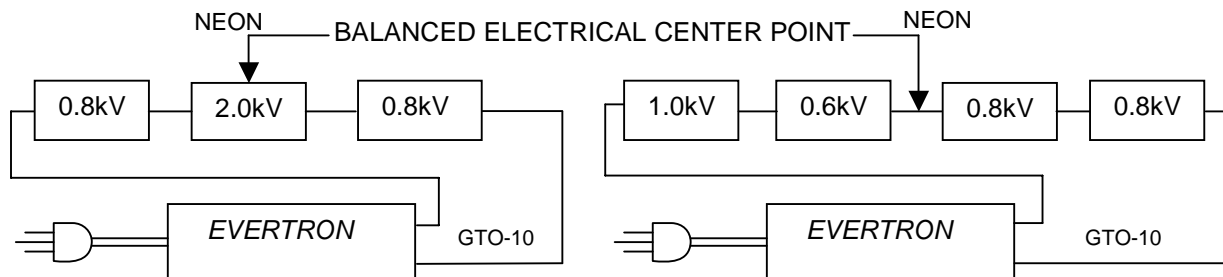


FIGURE 2

WARRANTY:

Everbrite Electronics, Inc. warrants to the original purchaser the product described herein to be free from defects in material and workmanship for a period of four years from date of manufacture and will replace or repair, at the discretion of the manufacturer, products found to be defective. The liability of the company is limited to the replacement of the defective product.

No other warranty, whether expressed or implied, including any warranty of merchantability of fitness for a particular purpose, shall exist in connection with sale or use of such products.